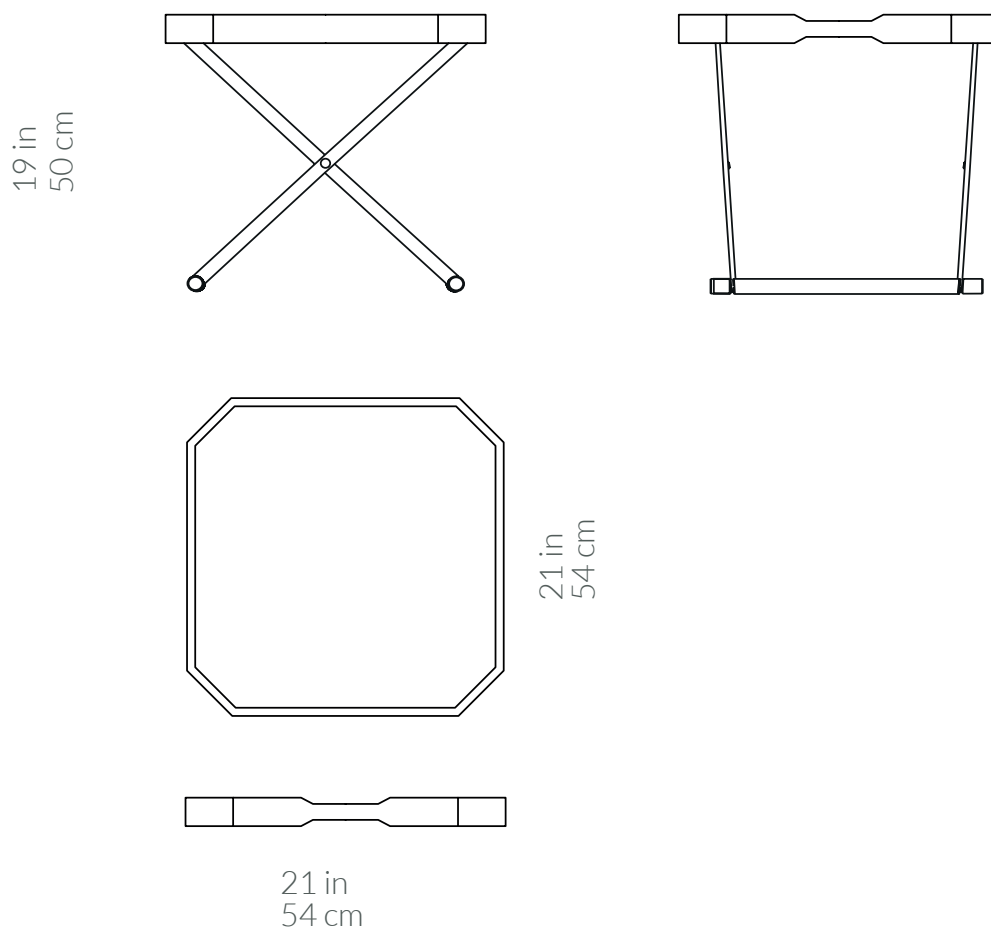


OCTAGON

2008 design Enrico Tonucci

ITA / Tavolino con struttura in alluminio anticorrosivo lucidato a cotone, cinte in cuoio, piedini rivestiti in cuoio e vassoio in appoggio in legno massiccio trattato ad olio di noce nero o palissandro.

ENG / Small table with anticorrosive aluminum structure and stainless steel joints. Tray in solid blackwalnut or rosewood treated with oil, supported by leather belts.



DIMENSIONI DIMENSIONS	DIMENSIONI IMBALLO PACKAGE DIMENSIONS	PESO LORDO GROSS WEIGHT	VOLUME IMBALLO PACKAGE VOLUME
54x54x42 cm 21x21x19 in	60x20x73 cm 24x8x29 in	6 Kg	0.087 m ³