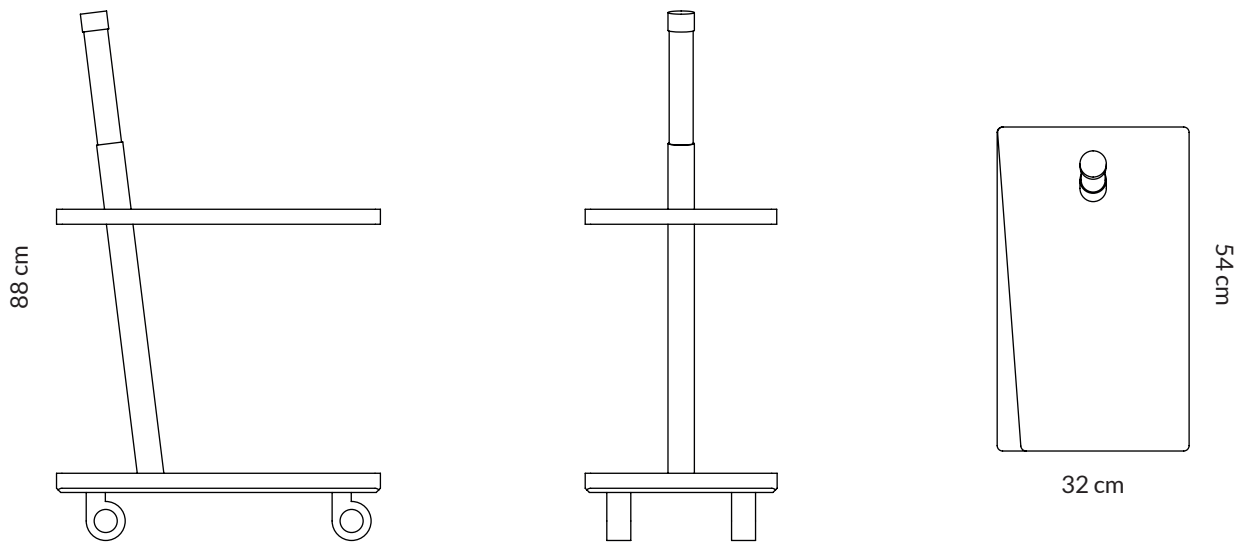


## QUAC

2014 design Viola Tonucci

ITA / Carrello in legno massiccio di noce nero composto da 3 elementi: 2 ripiani e un'asta che li unisce. Base sotto in metallo.

ENG / Handmade trolley in solid black walnut made by three elements; two shelves and one pole which are easily assembled. A metal core reinforces the frame. Handle covered in frosted leather.



DIMENSIONI DIMENSIONS	DIMENSIONI IMBALLO PACKAGE DIMENSIONS	PESO LORDO GROSS WEIGHT	VOLUME IMBALLO PACKAGE VOLUME
54x32x88 cm 21x12x34 in	58x36x16 cm 23x14x6 in	11.5 Kg	0.033 m <sup>3</sup>