

## ANDREA+

2008 design Enrico Tonucci

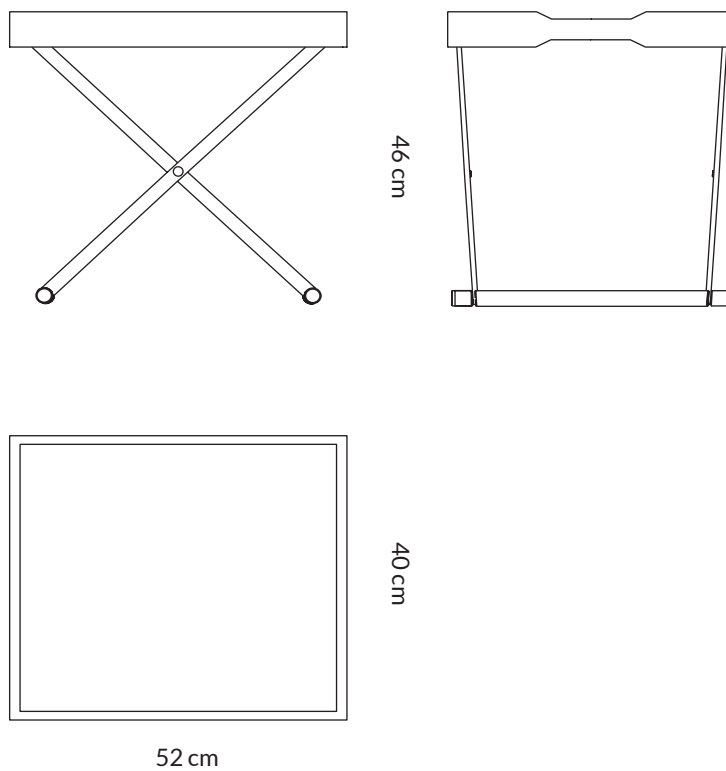
---

ITA / Tavolino con struttura in alluminio anticorrosivo lucidato a cotone, cinte in cuoio, piedini rivestiti in cuoio e vassoio in appoggio in legno massiccio trattato ad olio di noce nero o palissandro.

---

ENG / Small table with anticorrosive aluminum structure and stainless steel joints. Tray in solid blackwalnut or rosewood treated with oil, supported by leather belts.

---



| DIMENSIONI<br>DIMENSIONS     | DIMENSIONI IMBALLO<br>PACKAGE DIMENSIONS | PESO LORDO<br>GROSS WEIGHT | VOLUME IMBALLO<br>PACKAGE VOLUME |
|------------------------------|--|----------------------------|----------------------------------|
| 54x50xh46 cm<br>21x16xh19 in | 46x20x73 cm<br>18x8x29 in                | 7 Kg                       | 0.067 m <sup>3</sup>             |